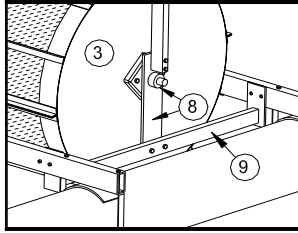
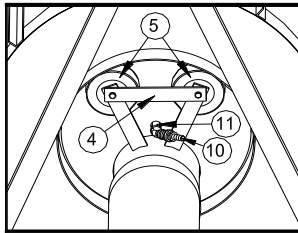


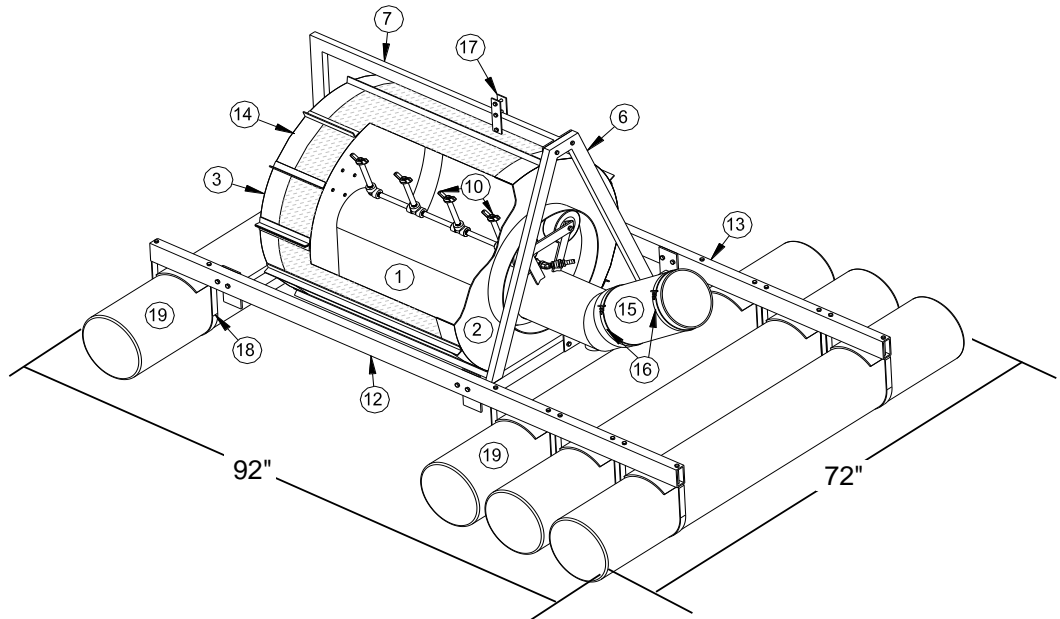
## 6 INCH RIVERSCREEN



END VIEW



WHEEL ASSEMBLY VIEW



### Parts List

Item	Part No.	Qty.	Description
1	R - SF0600	1	6" Suction Funnel
2	R - DPB0600	1	Drum Plate B
3	R - DPA0600	1	Drum Plate A
4	R - WB0608	1	6" Wheel Bracket
5	WA500	2	Wheel Assembly
6	R - AF0600	1	A Frame
7	R - LF0600	1	L Frame
8	R - DSP0612	1	Drum Support Plate
9	R - DSR0600	1	Drum Support Rail
10	R - CSB0600	1	Cleaning Spray Bar
11	R - SBA0612	1	Spray Bar Attachment
12	R - LR0600	1	Left Side Rail
13	R - RR0600	1	Right Side Rail
14	R - SA0600	2	Screen Assembly
15	SH006	1	6" X 20" Suction Hose
16	TBC006	2	6" T Bolt Clamps
17	R - HP001	1	Hanger Plate
18	R - PS0612	8	Pontoon Strap
19	R - P06	4	6 ft. Pontoon
<b><u>Additional Set-up Items (Not Shown in Picture)</u></b>			
	EPDM58	1	5/8" Hose
	R - FA0612	1	Filter Assembly
	CC6252	1	Anchor
	AR1550	1	Cable
	R - BP0612	1	Bolt Package

### Specifications

#### Weights

Basic Unit: 185 lbs  
Optional Equipment  
 Power Drive: 2 lbs  
 Foot Valve w/ Pressure Relief: 10 lbs

#### Maximum GPM Ratings & Velocities

800 GPM @ 9.87 ft per second  
 650 GPM @ 8.02 ft per second  
 500 GPM @ 6.17 ft per second  
 350 GPM @ 4.32 ft per second

Screen area at maximum depth (7 inches)  
 6.03 Square feet